



DATASHEET

PLANET LED PUCK

SOLO ST

Solo is a revolution in integrated lighting. Designed to be discreetly deployed in any non-metallic surface or substrate, like timber, masonry, or plaster. For the first time, take advantage of our world class LED puck technology in otherwise impossible to light scenarios.

Heat is cleverly dissipated through Solo's extended yet highly compact body. Now you can discreetly and safely install into a wide range of substrates including wood, masonry and plaster.

Featuring a patented design with collapsible shell, one easy push and Solo's snap-in module fits flush and securely into the material.

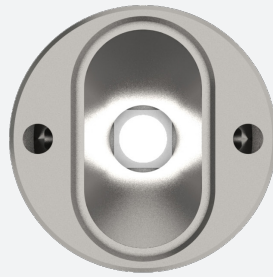


PLANET
LIGHTING



SOLO ST

5 years warranty is just the beginning. We design and manufacture in our purpose built Australian facility. Solo has a polished 316 stainless steel body, is vandal resistant and impact rated to IK10. Plus, each Solo LED puck is individually tested and burned in to ensure the light you receive performs as it should.



TYPICAL SPECIFICATIONS

Product Code	Specifications
SOLO-FF-ST-30	SOLO Standard Beam Flat Face 3000K
SOLO-FF-ST-40	SOLO Standard Beam Flat Face 4000K



SPECIFICATIONS*

TECHNICAL

1.4W / 500mA / 2.8Vf
 3000K - 170lm / 4000K - 180lm
 CRI 80+ (CRI 90+ OPTION)
 3 STEP MACADAM ELLIPSE
 L90 B10 >100,000h

OPTICS

POLYCARBONATE (STANDARD)
 BOROSILICATE (OPTION)

DISTRIBUTION

ELLIPTICAL SYMMETRIC

MATERIAL

316 STAINLESS STEEL
 ELECTROPOLISHED

AMBIENT OPERATING CONDITIONS

min. -40° / max. 55°

PROTECTION CLASS

POLYCARBONATE IP65 / IK10
 BOROSILICATE IP67 (OPTION)

ELECTRICAL

COOLSPICE CONNECTOR

INSTALLATION SURFACE
 MIN. 1.5mm WALL THICKNESS



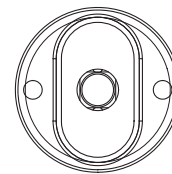
HOLE SIZE
 Ø15mm



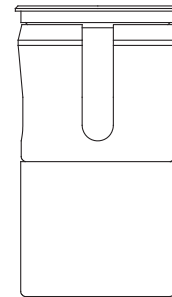
COUNTERBORE
 (REQUIRED FOR FLUSH FINISH)
 Ø16mm x 0.5mm (Flat Face)



CONTROL
 1-10V | DALI | DMX | ZIGBEE | CASAMBI
 BLUE LIGHT LINK | basicDIM WIRELESS

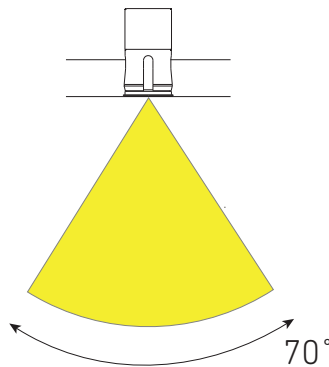


16mm



26mm

Flat Face



Elliptical asymmetric distribution displayed here with a vertical mount.

*Specifications are subject to change without notice.
 †Test for LED emitter at 500 mA and below 55°C ambient temp.

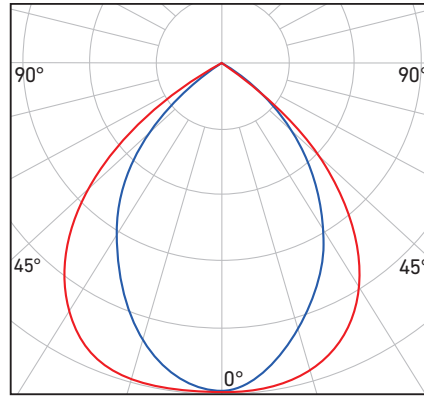
Ask Us.
 Your success is important to us. Get in touch with your Planet LED Puck supplier today.



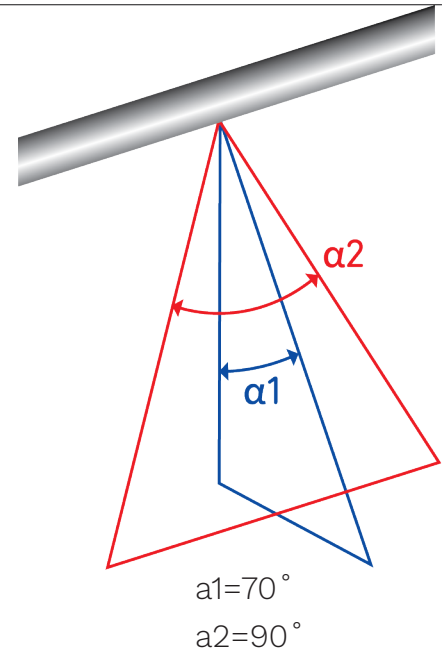
PHOTOMETRICS

Solo Standard Beam has an elliptical symmetric distribution. Solo is available in a range of standard distributions and special angles on request.

SYMMETRIC BEAM 3000K



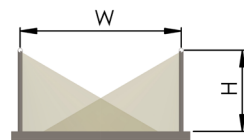
BEAM ALPHA 3000K



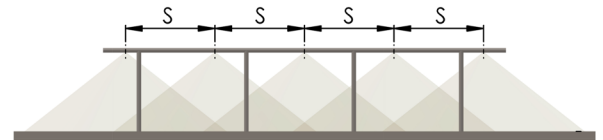
LUX GUIDE

The following guide is intended to help designers and engineers with desired lux levels. The drawing to the right shows a typical installation into a handrail. The tables list the average lux at a variety of path widths and LED spacings.

TYPICAL INSTALLATION



Height (H) is at 1m



lx = average lux
CCT = 3000K

Note: Calculations indicated are with LED module installed at 30° offset from vertical down axis.

SYMMETRIC BEAM: LIGHT FROM BOTH SIDES

Path Width (W)	1.2m	2.0m	3.0m	4.0m
LED Spacing (S)	lx	lx	lx	lx
0.5m	342	205	137	103
1.0m	171	103	68	51
2.0m	86	51	34	26

