

DATASHEET

## PLANET LED PUCK

### RGBW ASYMMETRIC

Infuse vibrant and emotive colour into any lighting project simply and efficiently. RGBW's Plug & Play design and patented snap-in collapsible shell module make installation quicker and easier than ever. And with an advanced thermal body, RGBW installation is possible in a range of materials including metal, wood, plaster and masonry.

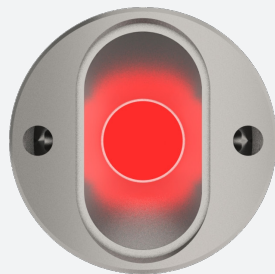


PLANET  
LIGHTING



# RGBW AS

5 years warranty is just the beginning. We design and manufacture in our purpose built Australian facility. Solo has a polished 316 stainless steel body, is vandal resistant and impact rated to IK10. Plus, each Solo LED puck is individually tested and burned in to ensure the light you receive performs as it should.



## TYPICAL SPECIFICATIONS

Product Code	Specifications
SOLO-CF-AS-RGBW-30	SOLO, Curved Face, Asymmetric Beam, 3000K
SOLO-FF-AS-RGBW-40	SOLO, Flat Face, Asymmetric Beam, 4000K



## SPECIFICATIONS\*

### TECHNICAL

1.4W / 500mA / 2.8Vf  
 3000K - 165lm / 4000K - 175lm  
 CRI 80+ (CRI 90+ OPTION)  
 3 STEP MACADAM ELLIPSE  
 L90 B10 >100,000h



**INSTALLATION SURFACE**  
 min. 1.5 mm Wall Thickness  
 min. Ø45 mm Rail (Curved Face Only)



**HOLE SIZE**  
 Ø15 mm



**COUNTERBORE**  
 (Required for a flush finish)  
 Ø16 mm x 1.6 mm (Curved Face)  
 Ø16 mm x 0.5 mm (Flat Face)

### OPTICS

POLYCARBONATE (STANDARD)  
 BOROSILICATE (OPTION)

### DISTRIBUTION

ELLIPTICAL ASYMMETRIC

### MATERIAL

316 STAINLESS STEEL  
 ELECTROPOLISHED



### AMBIENT OPERATING CONDITIONS

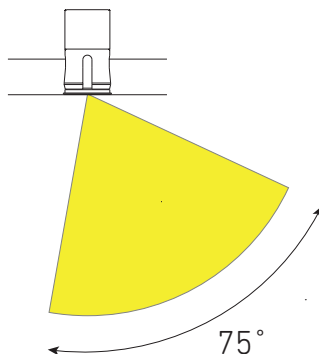
min. -40° / max. 55°

### PROTECTION CLASS

POLYCARBONATE IP65 / IK10  
 BOROSILICATE IP67 (OPTION)

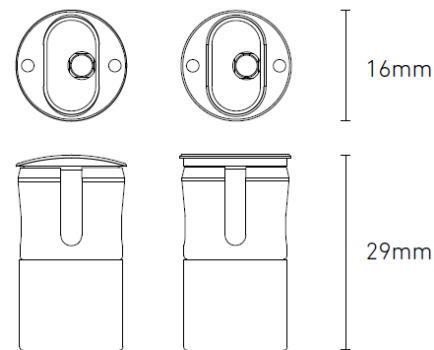
### ELECTRICAL

Waterproof Plug & Play Connectors



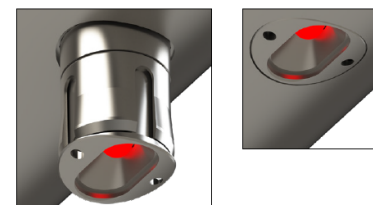
Elliptical asymmetric distribution.

## Curved and Flat Face



### Snap-In Solo Body

RGBW's thermally advanced Solo body makes it suitable for insertion into both metal and non-metal substrates.



Patented push to snap-in collapsible shell module for quick installation.

## Ask Us.

Your success is important to us. Get in touch with your Planet LED Puck supplier today.

\*Specifications are subject to change without notice.  
 †Test for LED emitter at 500 mA and below 55°C ambient temp.

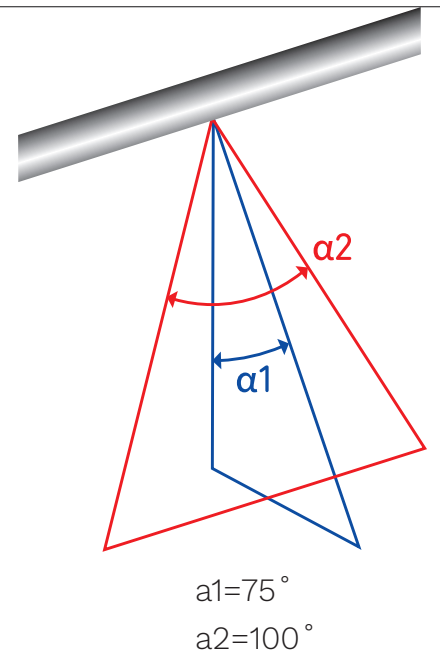
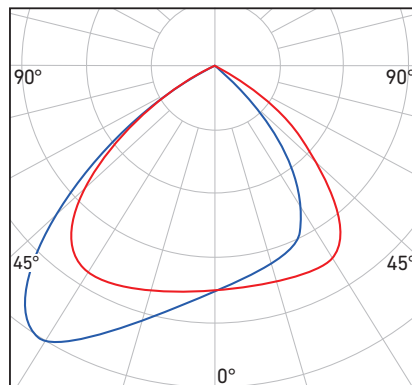


## PHOTOMETRICS

## ASYMMETRIC BEAM 3000K

## BEAM ALPHA 3000K

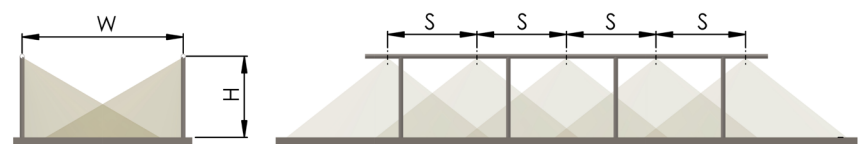
RGBW Asymmetric has an elliptical asymmetric distribution ideal for insertion at 0-10 degrees from the vertical axis of a handrail's underside. The asymmetric beam illuminates the path but keeps the light source out of sight.



## LUX GUIDE

The following guide is intended to help designers and engineers with desired lux levels. The drawing to the right shows a typical installation into a handrail. The tables list the average lux at a variety of path widths and LED spacings.

### TYPICAL INSTALLATION



Height (H) is at 1m

lx = average lux  
CCT = 4000K

Note: Calculations indicated are with LED module in vertical down position.

### ASYMMETRIC BEAM: LIGHT FROM BOTH

Path Width (W)	1.2m	2.0m	3.0m	4.0m
LED Spacing (S)	lx	lx	lx	lx
0.5m	291	174	116	87
1.0m	145	87	58	44
2.0m	73	44	29	22

