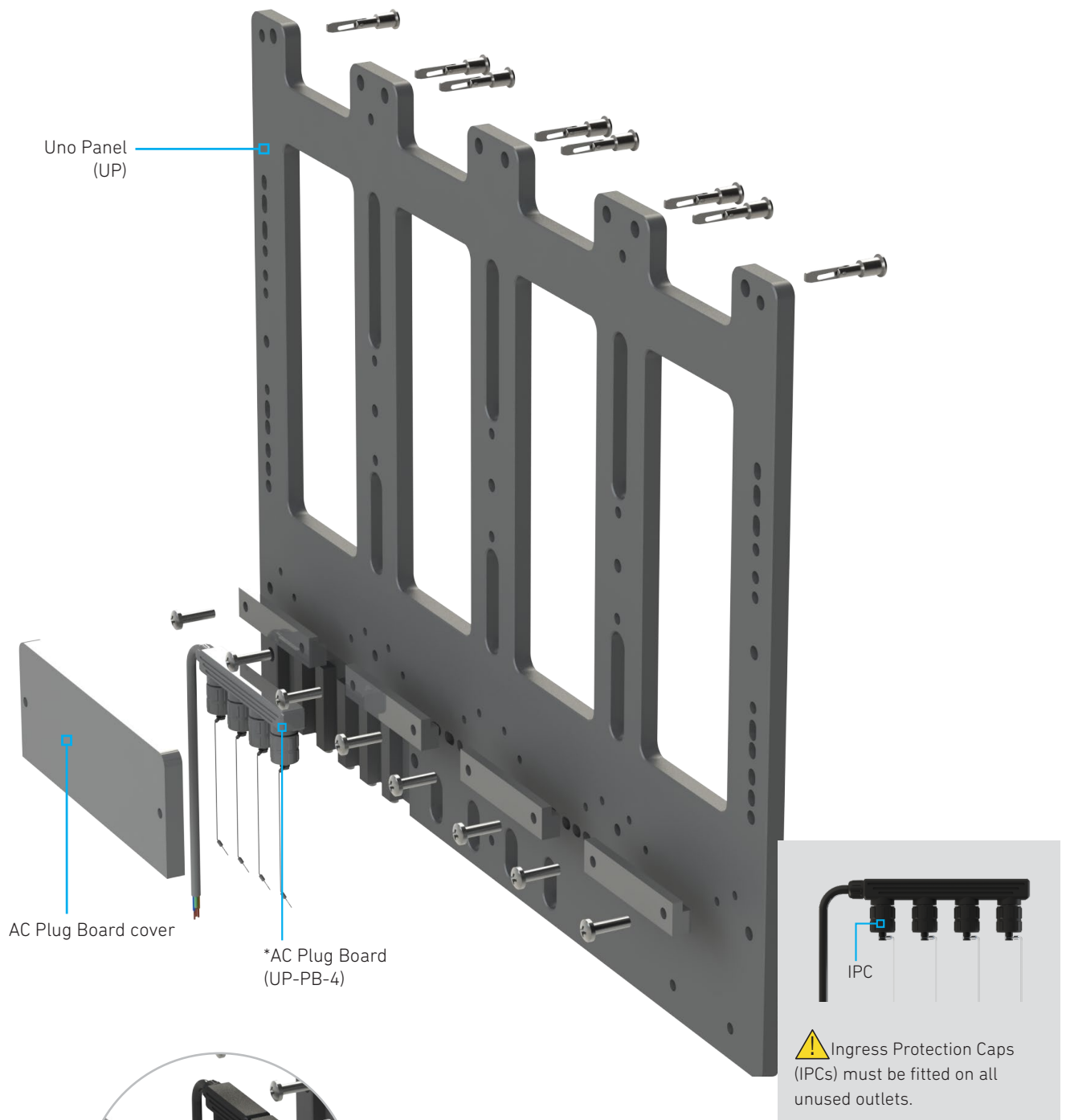


# OVERVIEW



\*(Above) Optional 2 x 2 socket AC Plug Board configuration, part number: UP-PB-2.



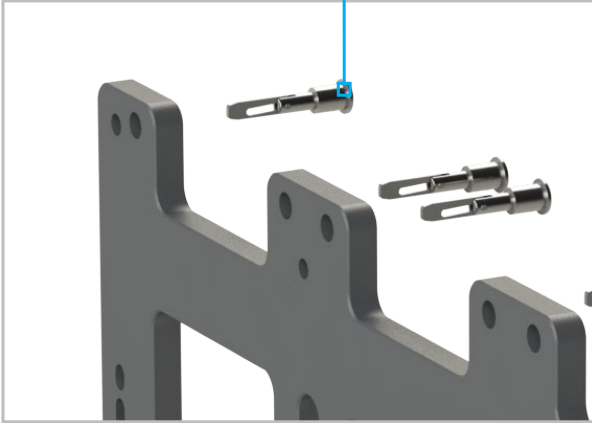
## **DANGER– Risk of Electric Shock.**

Mains AC Input Installation by Authorised Service Personnel ONLY. Ensure Mains power is OFF and disconnected before handling AC Plug Board and that Ingress Protection Caps are securely fitted.



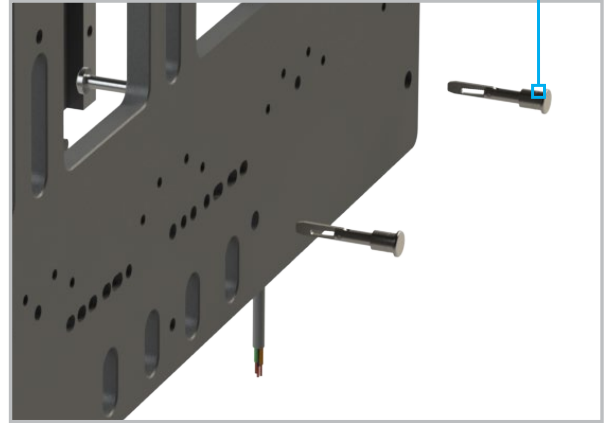
# INSTRUCTIONS

Short drop nose pin  
(UP-DNP-HI35)

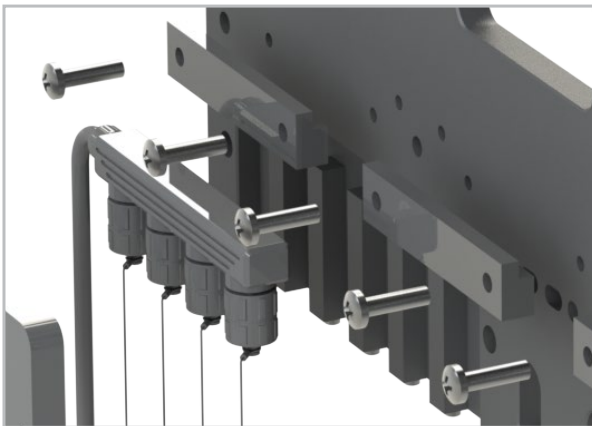


1. Insert 2 x shorter 35mm drop nose pins per Uno mounting block

Long drop nose pin  
(UP-DNP-LO40)



2. Insert 2 x longer 40mm drop nose pins for AC Plug Board cover



3. Secure the bottom bracket with 2 x screws per Uno mounting block.



4. Insert AC Plug Board(s). Secure the Plug Board Cover with the drop nose pins.

**NOTE!** Ensure drop nose pins are inserted in the correct orientation to enable correct locking function. When inserting the drop nose pin for assembly, the pin teeth should be located at the top of the opening – see position 1: Open (right).



1. Open: Ready to install or remove an Uno.



2. Closed with Uno in place but not locked.



3. Closed and Locked: Uno held and locked in place.

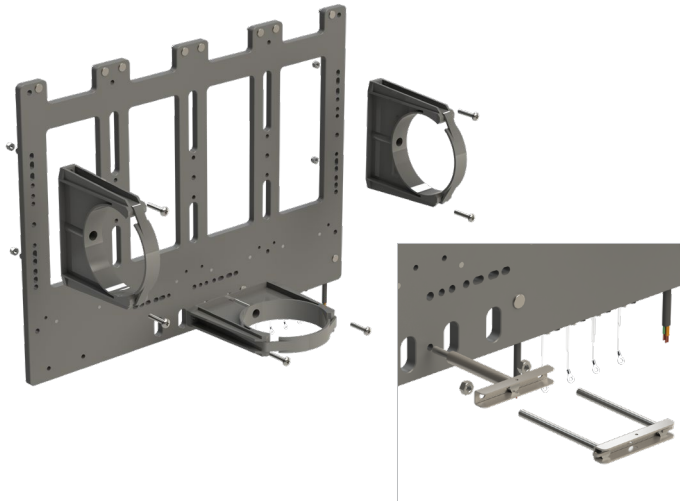


**THIS WAY UP**



# BRACKET ASSEMBLY

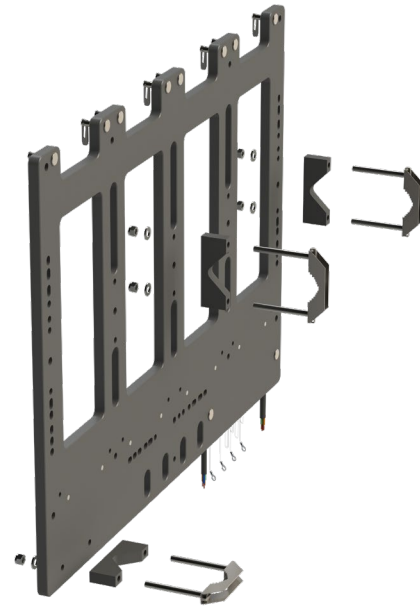
Uno Panel can be secured via a range of bracket solutions.



Aqualine adapter

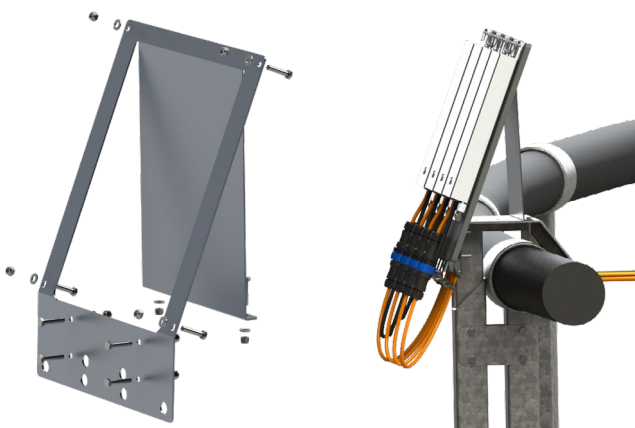
## HDPE Pens, Handrail Clamp

Each pipe clamp requires a stainless steel screw and nyloc nut. Aqualine steel stanchion variation (above right) requires Planet Lighting bracket kit part number UP1-BK-AS



## Metal Pens, Rail Clamp

Planet Lighting bracket kit part number: UP1-BK-M



## Aqualine, Universal Bracket Mount

Planet Lighting bracket kit part number: UP1-BK-AUB



Bracket Adapters

## Legacy H-MBP Upgrade

Requires Planet Lighting bracket kit part number: UP1-BK-AP

