

The Focus 600 is a high power underwater luminaire designed for use in cage farming systems in marine aquaculture.

### REMOTE GEAR

The Focus 600 is a remote gear fixture by design. The LED driver gear is located in a gear housing mounted at the cage rail to minimise equipment inside the cage, and allows optimal protection and serviceability of the gear.

The Focus 600 must be powered by a properly installed remote gear housing purchased from your supplier and *made by Planet Lighting*. See page 2: Installation.



### APPLICATIONS

- Aquaculture
- Mariculture
- Photoperiod Manipulation

PRODUCT CODE	STANDARD SPECIFICATION
L5-600-65-120	Focus 600 aquaculture cage light, 600W 6500K cool white LED

## PHOTOMETRICS

### TECHNICAL

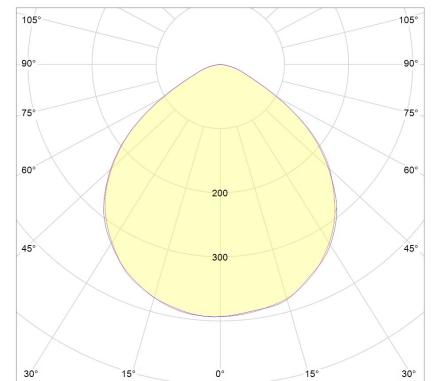
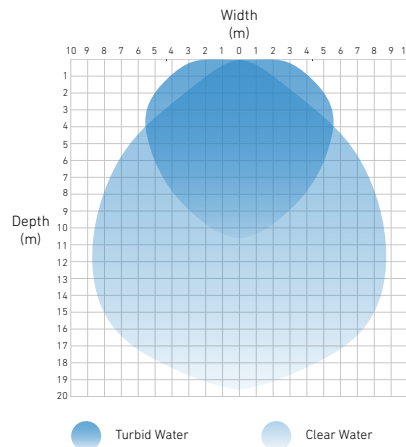
Standard 6500K Cool White LED  
CRI 70

### PERFORMANCE

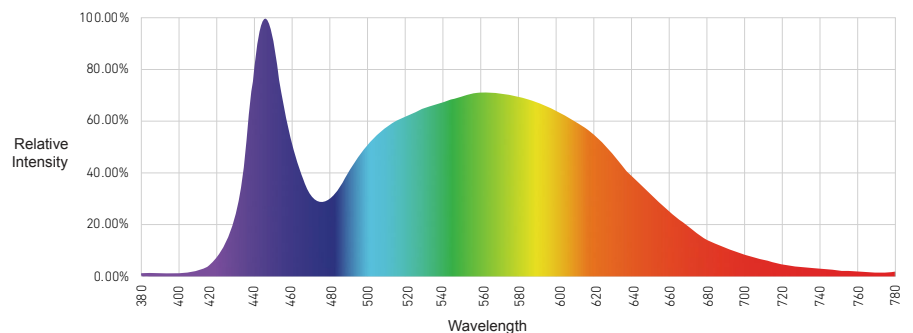
148 lm/W (at COB)  
81,400 lm at max 2.5A  
Performance specifications at COB and  $\pm 8\%$  tolerance

### LIGHT DISTRIBUTION

Circular with a beam angle of 120°



Above: Comparison light penetration to 10 lux in ocean water conditions: turbid and clear.



# SPECIFICATIONS

# FOCUS 600

## DATASHEET

### LED LIFETIME

L90 > 36,000h

### MATERIAL

Aluminium 5083  
Borosilicate glass  
PUR cable with Kevlar braid

### AMBIENT OPERATING CONDITIONS

-2°C to 25°C water temperature.  
Always submerged, this product must be water cooled.  
Above water cable & connectors rated -40°C to 45°C.

### PROTECTION CLASS

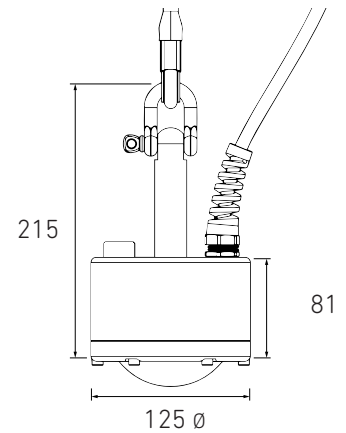
IP68  
Designed to withstand long term submersion up to 10m

### ELECTRICAL

Max 600W  
Vf 54-56V per COB LED  
4 COB LEDs  
Drive current 1.9 to 2.5A

### DIMENSIONS & WEIGHT

- 125mm (Ø)
- 81 mm (H) heat sink
- 215mm (H) heat sink + suspension
- 2.4kg excl. cable



Focus 600 dimensions  
All measurements in millimetres (mm)

# INSTALLATION

- Gear housings manufactured by Planet Lighting only are required to operate this product. These are typically installed at the cage rail. See our Focus cabinets or Uno housings.
- Luminaire to be suspended underwater from a rope through the shackle.
- Maximum custom cable length between luminaire and remote gear is greater than 100m



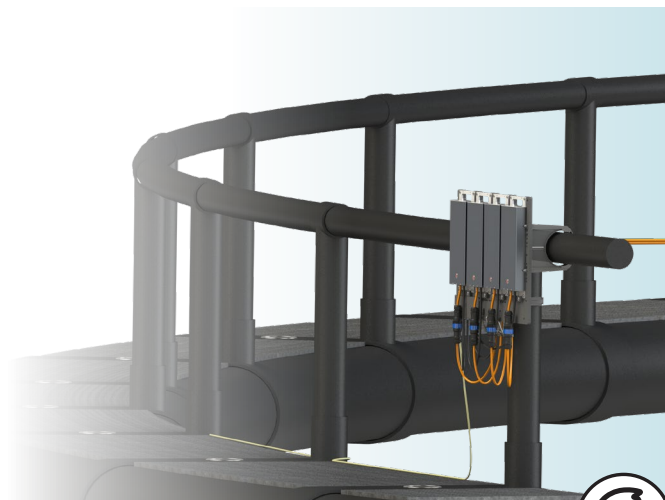
Focus 600 is plug & play with Uno, our purpose-built, slimline remote gear.



Durable PUR cable with Kevlar braid with built-in strain relief.

### CONTROL

- Standard control offers a 30 minute soft start when powered.
- Further options available depending on gear housing selection.



# UNO

**Heavy Duty Performance.  
Without the Heavy Lifting.**

Welcome to Uno: your slimline, lightweight remote gear purpose-engineered for the sea cage and designed exclusively to control and power your Focus light.

Uno is built incredibly tough, is plug & play and includes soft start / stop as well as a clever DC Voltage Monitor. Ask us more.

Complete your compact sea cage lighting system with remote gear that's both lightweight and high performance – just like your Focus 600

