

EVOLVE OVERWATER 150

DATASHEET

The Evolve Overwater luminaire sets the standard for use in land based aquaculture with ideal spectral distribution, beam angle, reliability, form factor and ingress protection features.

OPTIONS

Non-standard gear, cable length and connectors available.

REMOTE GEAR

Evolve Overwater is a remote gear fixture by design which moves serviceability & suspension weight away from the water. Evolve Overwater products require additional remote gear sold separately. Specifications within this datasheet are for standard gear only.



APPLICATIONS

- Land Based Aquaculture
- Hatcheries
- RAS Facilities
- Broodstock

PRODUCT CODE

STANDARD SPECIFICATION

E02-57-90

Evolve Overwater downlight 150W 5700K 90° beam

PHOTOMETRICS

TECHNICAL

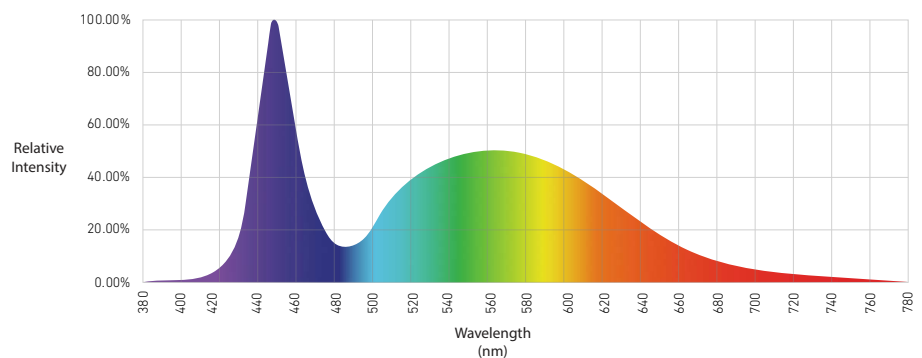
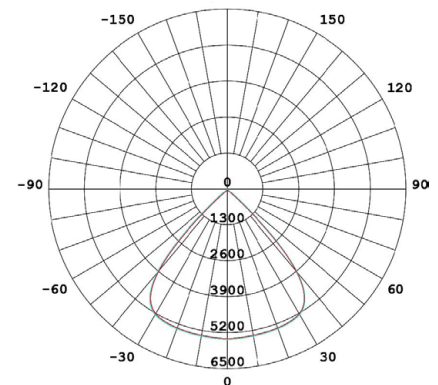
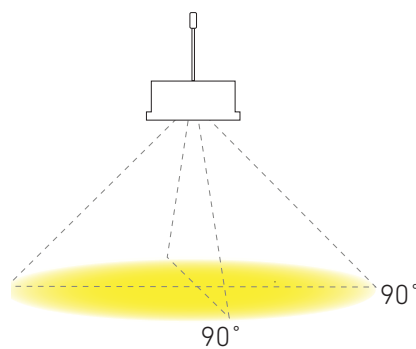
5700K Cool White LED
CRI 70

PERFORMANCE

143 lm/W
21450 lm at 3.0A
Performance specifications $\pm 8\%$

LIGHT DISTRIBUTION

Circular with a beam angle of 90°



SPECIFICATIONS

LED LIFETIME
L70 > 102,000h

AMBIENT OPERATING CONDITIONS
-40° to 45°

ELECTRICAL
MAX 150W
Voltage 54V
Drive current 2.0 to 3.0A

MATERIAL
Aluminium 6063

PROTECTION CLASS
Polycarbonate IP68

INSTALLATION

Suspension by stainless steel eye bolt.
Correctly specified remote gear required.
Cable to 2-pin IP68 connector standard.
Standard cable 20m (L) 1.5mm² (+,-)
Custom cable maximum lengths:

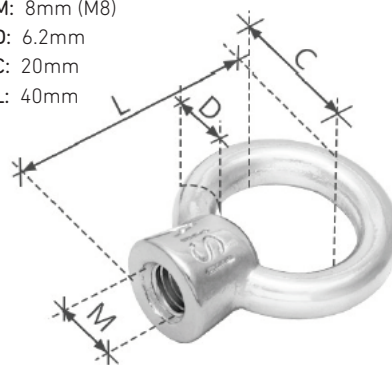
- 66m at 2.2A
- 61m at 2.4A
- 56m at 2.6A
- 52m at 2.8A
- 48m at 3.0A

CONTROL
Control options determined by gear.
Standard gear supports 0-10V, PWM or
timer programming modes.

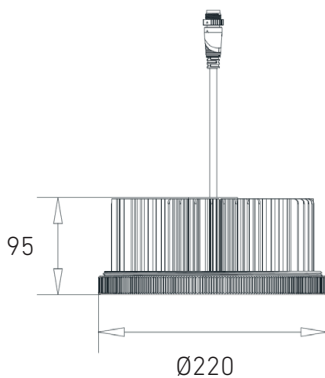
DIMENSIONS & WEIGHT

- 220mm (Ø)
- 95mm (H)
- 2.1kg net weight

M: 8mm (M8)
D: 6.2mm
C: 20mm
L: 40mm



Mounting Assembly : Stainless Steel Eye Bolt 25mm



EVOLVE UNDERWATER

Improve light distribution
Flexible layout options



Ask us about the Evolve Pod 150
underwater luminaire.
Evolve submerged luminaires
can substitute or complement
an overhead light. Available as a
plug & play option off the same
54V 2-3A circuit provided by the
remote gear.

