

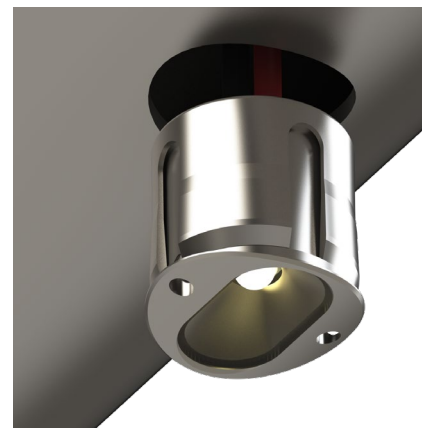


IP68 STANDARD

LED Puck IP68 is the ideal waterproof handrail lighting solution. Built to last with premium materials and a vandal-resistant construction IP68 can deliver continued photometric excellence even in challenging environmental conditions: including snow and intermittent flooding — and all without sacrificing uniformity or elegance. It's confident lighting for the cold, wet or extreme.

PRODUCT CODE	SPECIFICATION
IP68-ST-CF-30	IP68 Standard Beam Curved Face 3000K
IP68-ST-CF-40	IP68 Standard Beam Curved Face 4000K
IP68-ST-FF-30	IP68 Standard Beam Flat Face 3000K
IP68-ST-FF-40	IP68 Standard Beam Flat Face 4000K

ETLus conforms to UL2108
 cETL conforms to CSA C22.2 #250.0
 Product Not for Permanent Submersion
 Warranty covers submersion up to 2m at 24hrs



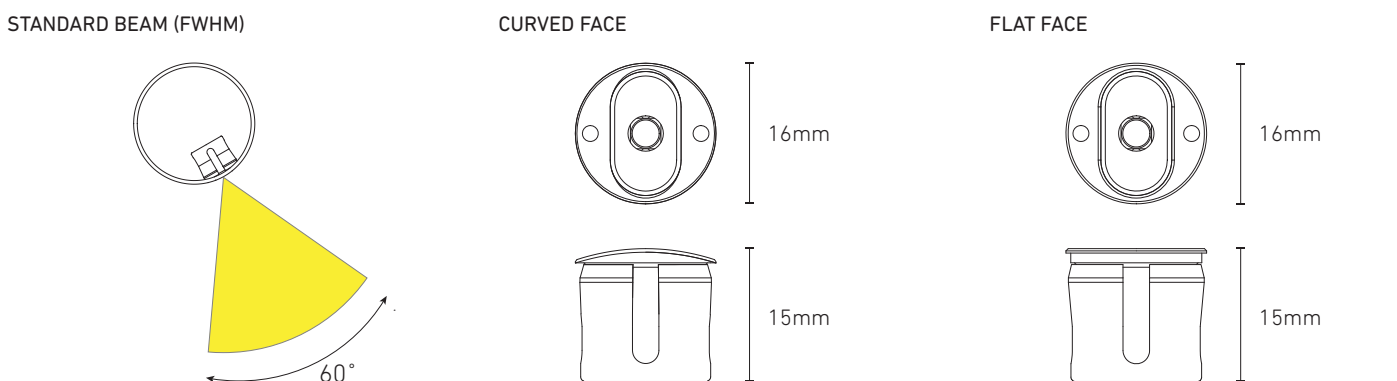
OPTIONS

CCT 2700K / 3500K / Custom
 Custom Beam Angles
 CRI 90+

SPECIFICATIONS

TECHNICAL 1.4W / 500mA / 2.8Vf 3000K - 122lm / 4000K - 130lm CRI 80+ (CRI 90+ OPTION) 3 STEP MACADAM ELLIPSE B ₅₀ L ₇₀ >100,000h	MATERIAL 316 STAINLESS STEEL ELECTROPOLISHED	INSTALLATION SURFACE MIN. 1.5mm WALL THICKNESS MIN. Ø35mm RAIL (CURVED FACE ONLY)
OPTICS OPTICALLY CLEAR POLYURETHANE	AMBIENT OPERATING CONDITIONS MIN. -40° / MAX. 55°	APERTURE Ø15mm
DISTRIBUTION ELLIPTICAL SYMMETRIC	PROTECTION CLASS IK10 / IP68 — RATED TO 2m at 24hrs (NOT FOR PERMANENT SUBMERSION)	COUNTERBORE (REQUIRED FOR FLUSH FINISH) Ø16mm x 1.6mm (Curved Face) Ø16mm x 0.5mm (Flat Face)
	ELECTRICAL COOLSPICE CONNECTOR	CONTROL 1-10V DALI DMX ZIGBEE CASAMBI BLUE LIGHT LINK basicDIM WIRELESS

BEAM AND FACE DETAIL



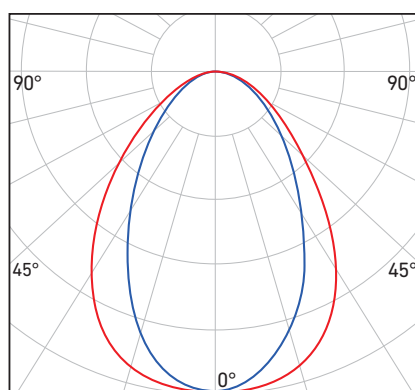
Elliptical symmetric distribution for typical mounting at 30° from vertical

IP68 STANDARD

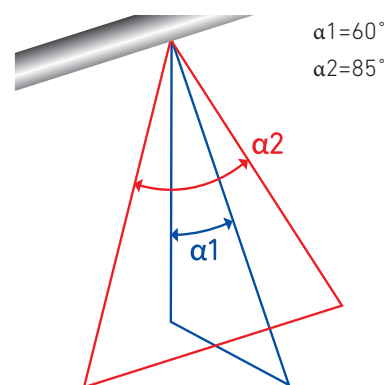
PHOTOMETRICS

IP68 Standard has an elliptical symmetric distribution. For installation in handrail, mounting is typically at 30° from the vertical axis of the handrail underside. IP68 is available in a range of standard distributions and special angles on request.

STANDARD BEAM 3000K



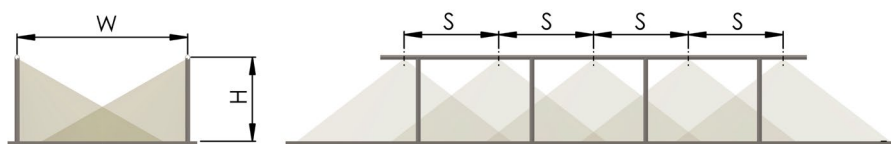
BEAM ALPHA 3000K



LUX GUIDE

The following guide is intended to help designers and engineers with desired lux levels. The drawing to the right shows a typical installation into a handrail. The tables list the average lux at a variety of path widths and LED spacings.

TYPICAL INSTALLATION



Height (H) is at 1m

STANDARD BEAM: LIGHT FROM BOTH SIDES

Path Width (W)	1.2m	2.0m	3.0m	4.0m
LED Spacing (S)	lx	lx	lx	lx
0.5m	192	115	77	57
1.0m	96	57	38	29
2.0m	48	29	19	14

lx = average lux

CCT = 3000K

Note: Calculations indicated are with LED module installed at 30° offset from vertical down axis.