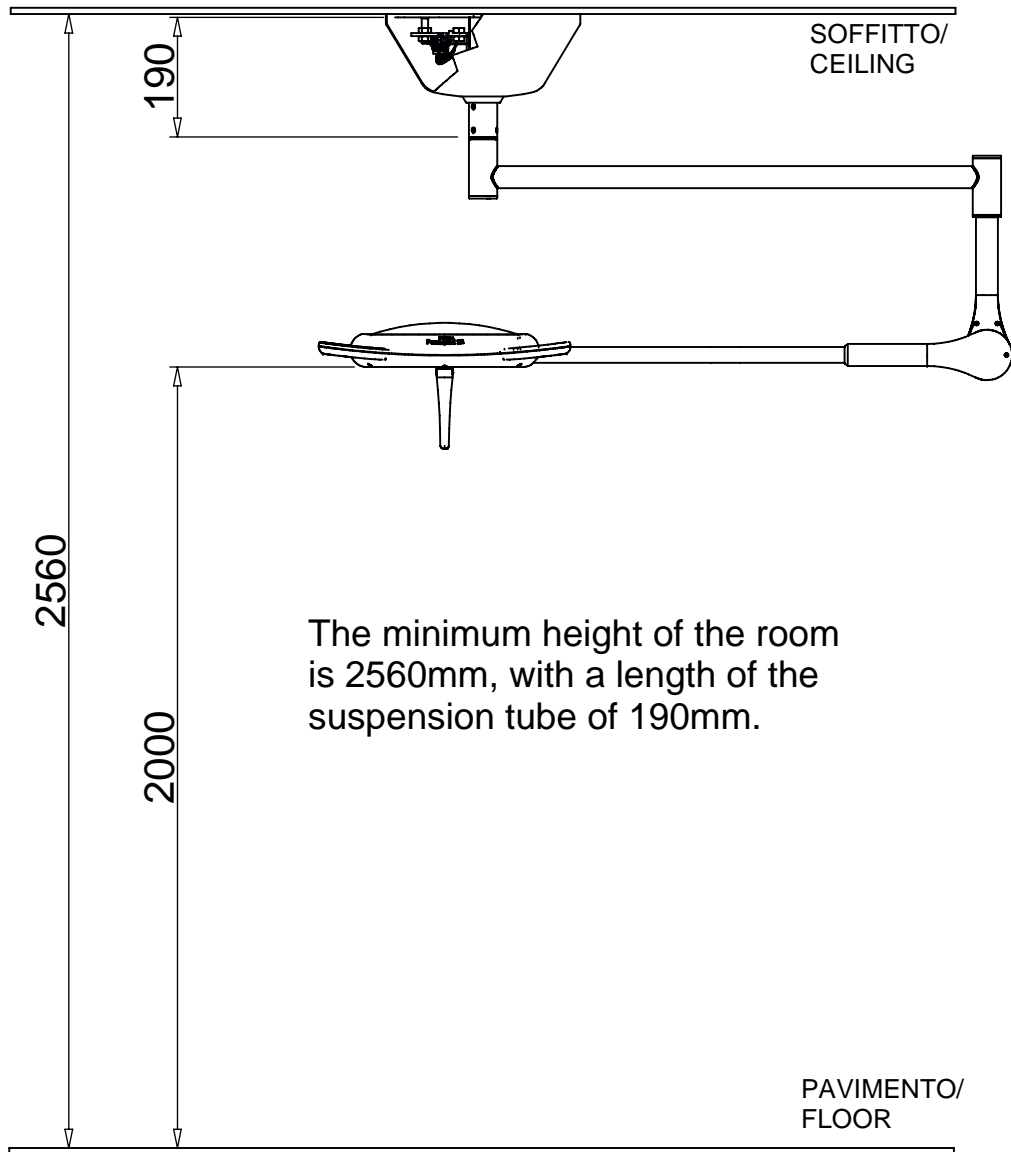


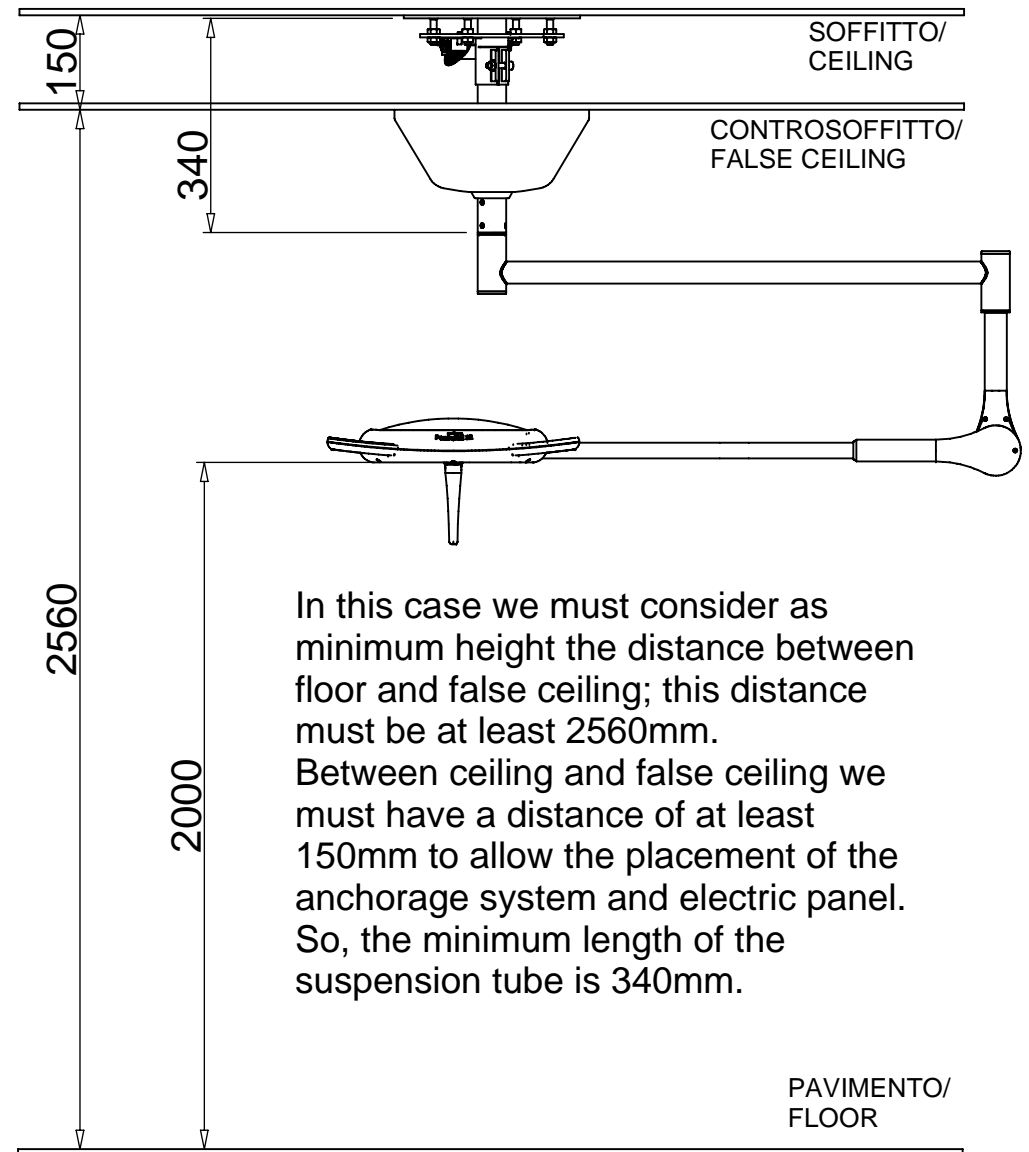
PENTALED12 MINIMUM ROOM HEIGHT

WITHOUT FALSE CEILING



The minimum height of the room is 2560mm, with a length of the suspension tube of 190mm.

WITH FALSE CEILING



In this case we must consider as minimum height the distance between floor and false ceiling; this distance must be at least 2560mm. Between ceiling and false ceiling we must have a distance of at least 150mm to allow the placement of the anchorage system and electric panel. So, the minimum length of the suspension tube is 340mm.