

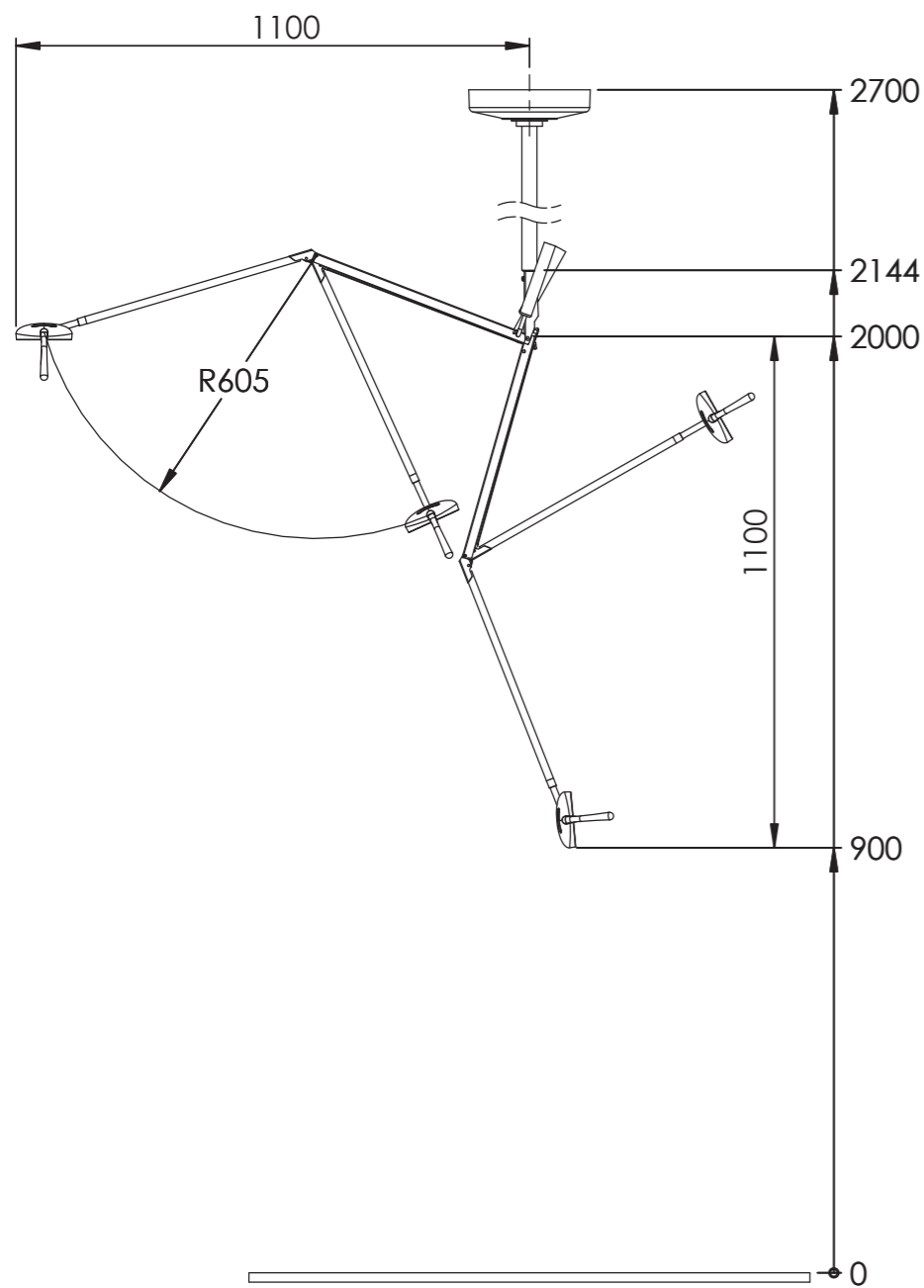
ULED RANGE OF MOVEMENT

DRAWING NAME:
ULED RANGE OF MOVEMENT

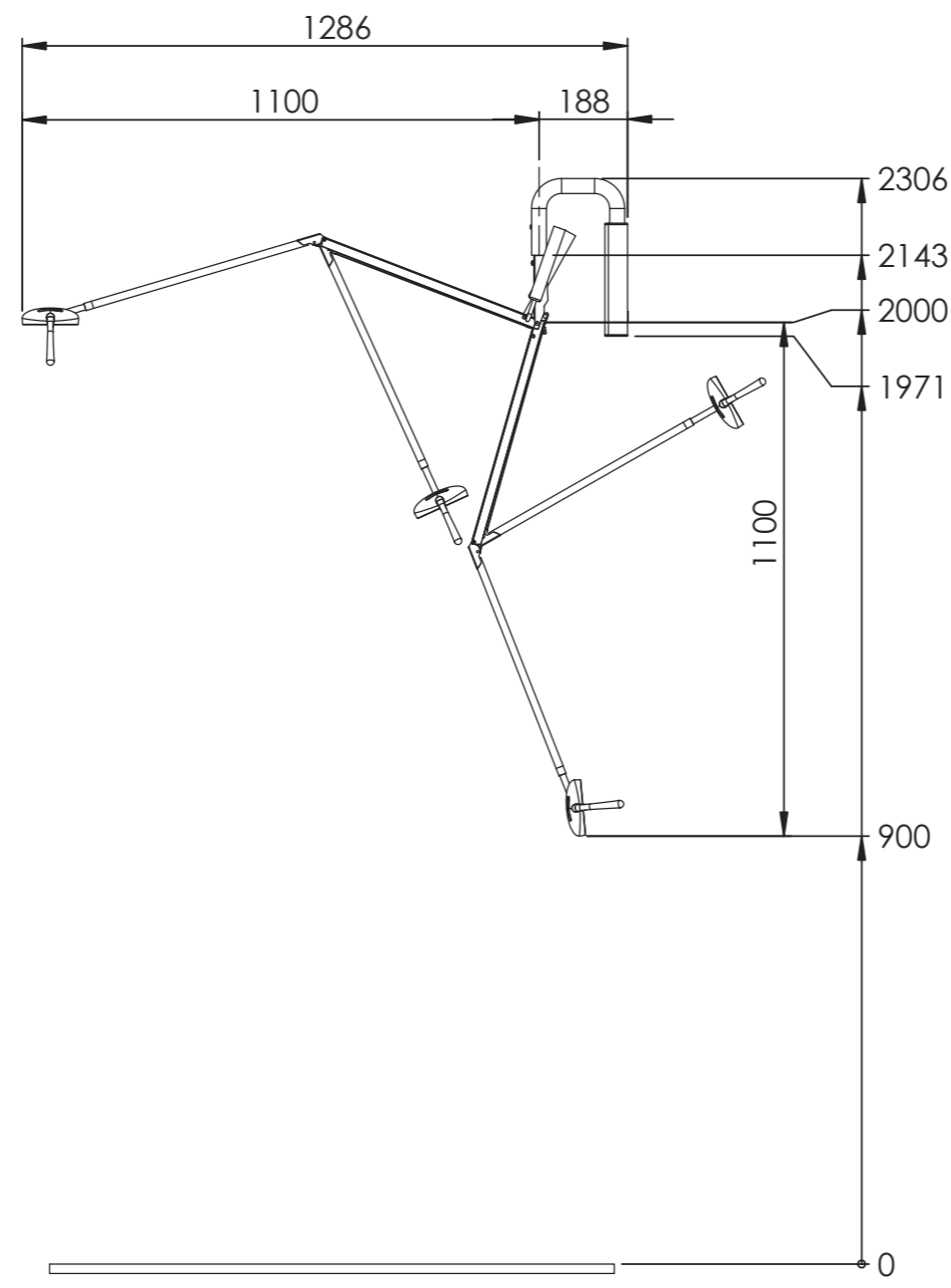
DRAWING No: ULEDROM
REVISION NO: 03

SHEET SIZE: A3
SCALE: NTS

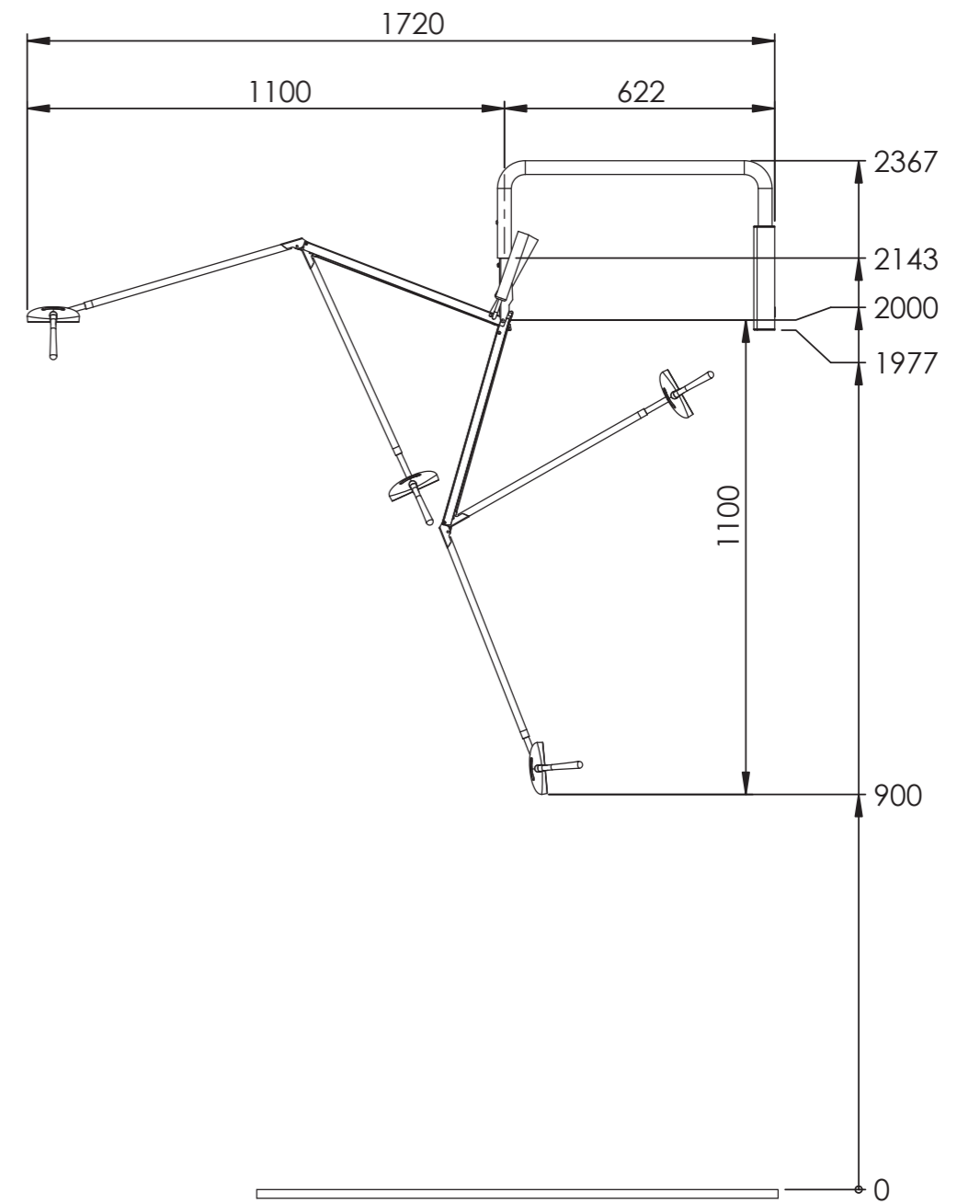
DATE: 29.08.2019
PLANETLIGHTING.COM



STANDARD CEILING (UC)



STANDARD WALL (UW)



EXTENDED WALL (UEX)