

4.1.2 DETERMINE THE CEILING TUBE LENGTH

H(mm)	L(mm)
2600	160
2650	210
2700	260
2750	310
2800	360
2850	410
2900	460
2950	510
3000	560
3050	610
3100	660
3150	710
3200	760
3250	810
3300	860
3330	910

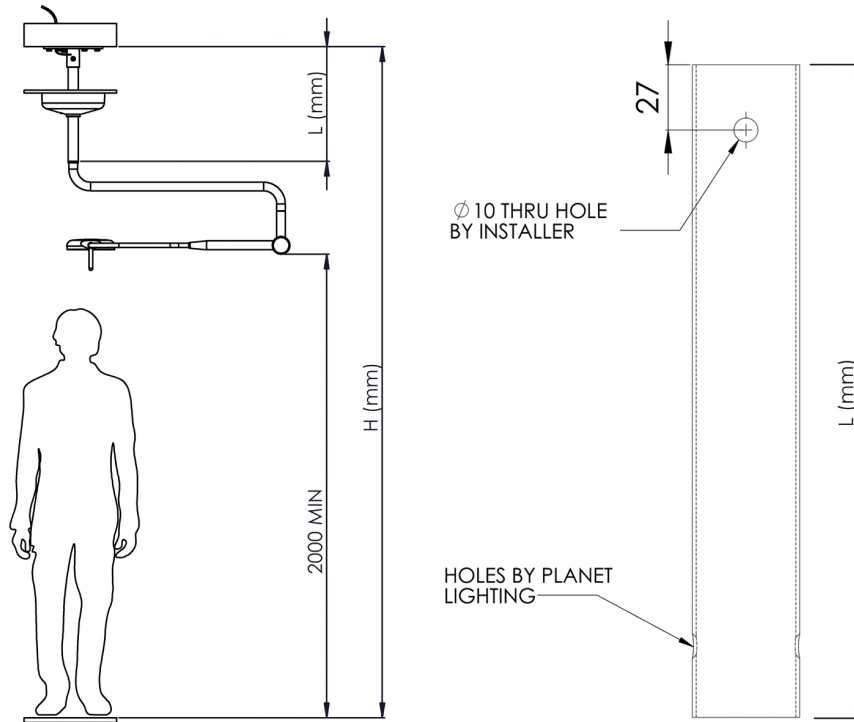


Fig. 4.0

4.1.3 CUT CEILING TUBE TO LENGTH

⚠ WARNING

Do not cut tube end with countersunk holes

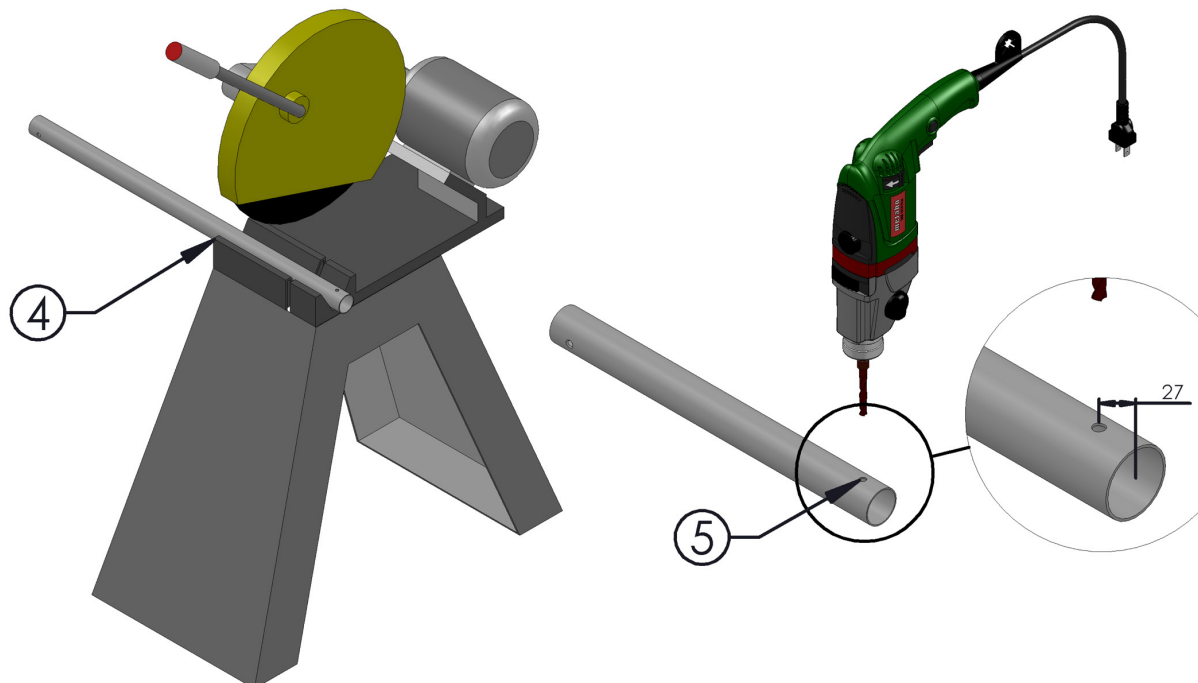


Fig. 5.0

4. Cut ceiling tube to length, based on the table in Fig. 4.0
5. Measure, and drill 10mm through-hole for the locking bolt, as shown in Fig. 5.0.



PLANET
LIGHTING

