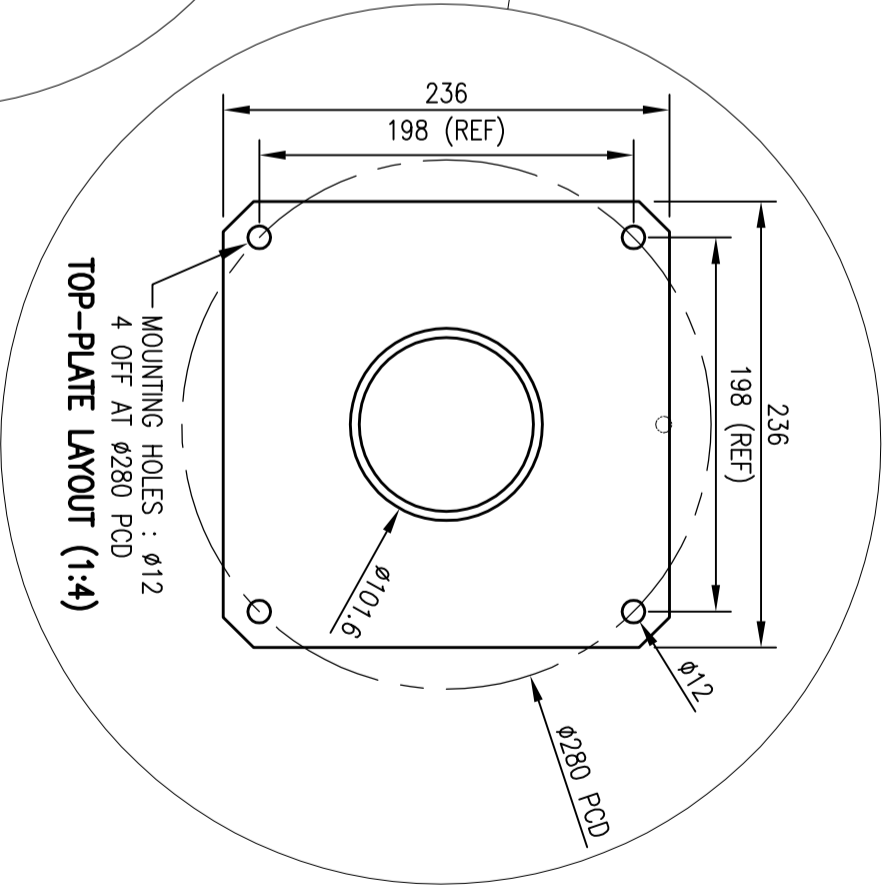
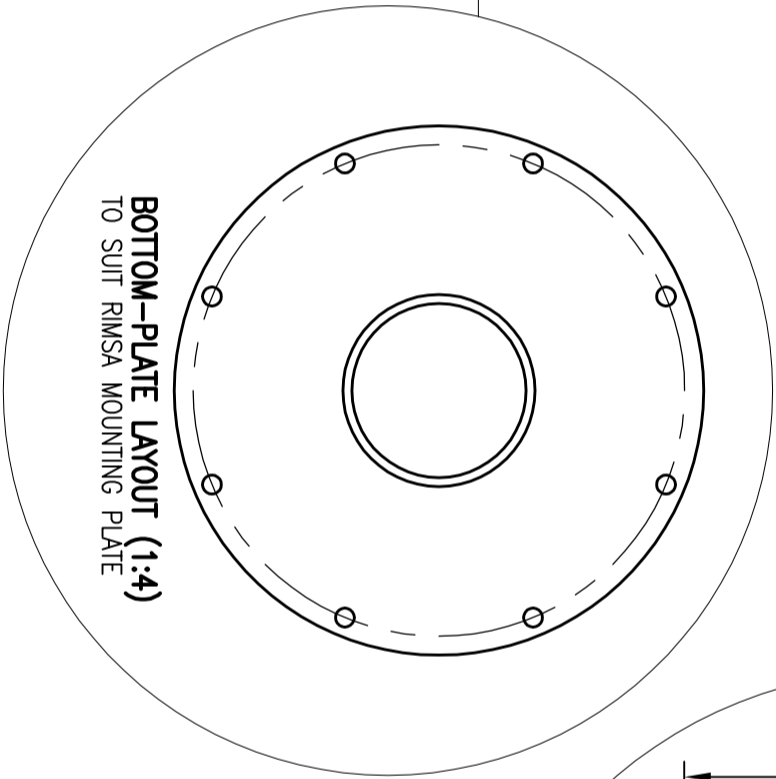


4 OFF BOLTS (BY OTHERS)
INTO CONCRETE SLAB ABOVE
(M10x1.5 GRADE 4.6 OR STRONGER)



NOTE: CUT CEILING TUBE AS PER DRAWING CODE #055
OF THE RIMSAs INSTALLATION MANUAL #ML_016_GB Rev.0 16/12/14
SO THAT BOTTOM OF CEILING TUBE IS 2370mm AFFL.
(ABOVE FINISHED FLOOR LEVEL)
THIS SHOULD BE WITHIN THE RANGE OF 630mm +/-50mm
DEPENDING ON VARIATION OF AS-BUILT HEIGHT OF STRUCTURAL
CEILING (SLAB ABOVE) FROM NOMINATED 4000mm AFFL.

date	REVISION	int.	DRAWN: DWK	SCALE: 1:10	DATE: 03.09.15	DRAWING NUMBER: B2630C-01	REVISION NO: 00
------	----------	------	------------	-------------	----------------	---------------------------	-----------------

Planet Lighting AUSTRALIA
 DUKESSEA Ply Ltd ACN: 052-972-808 Ph: (+61)0266551077
 Tamarind Drive Bellingen NSW 2454 Fax: (+61)0266552121

SHEET SIZE: **A3**
 TOLERANCES:
 0-15:
 16-100:
 101+ :

PROJECT: **SUNSHINE COAST HOSPITAL**
 CLIENT: **HOSLAB**

DRAWING NAME:
SPECIAL RIMSAs MOUNT - GENERAL ASSEMBLY